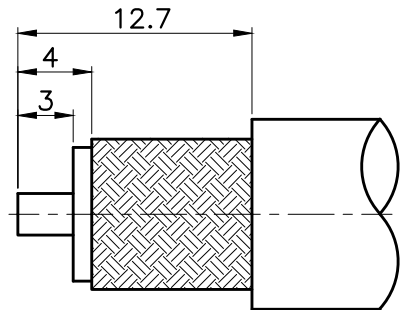
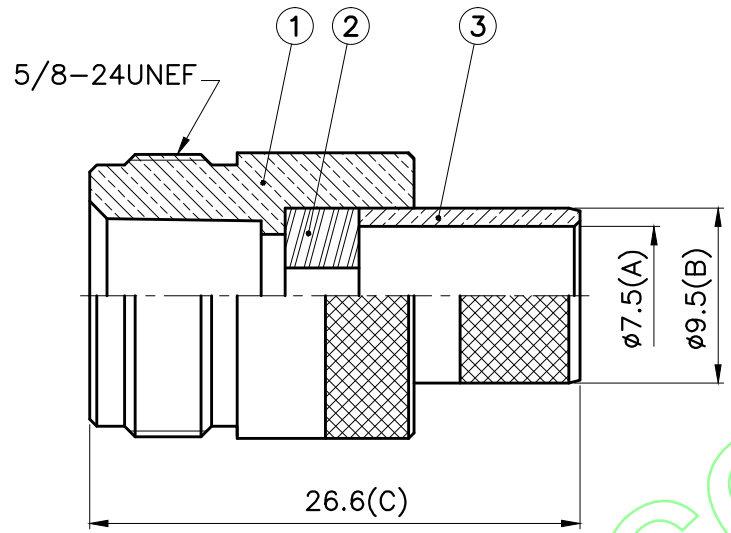


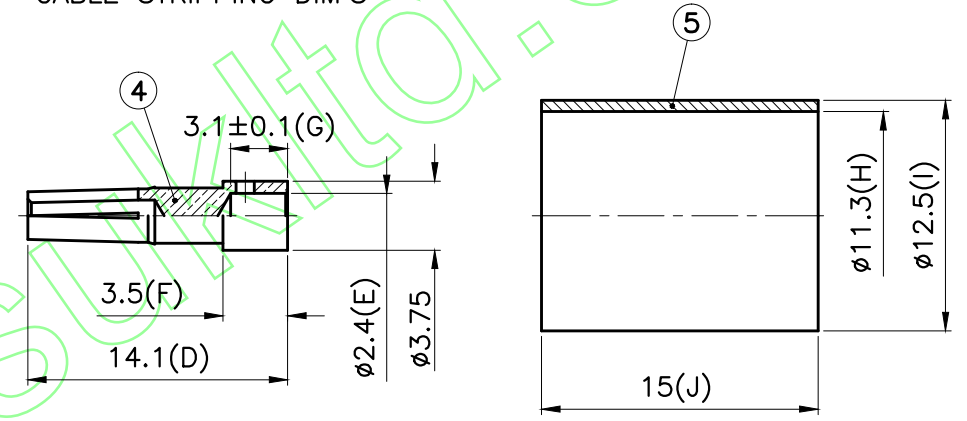
REVISIONS	
ISS	DESCRIPTION \ DATE



RoHS COMPLIANT



RECOMMENDED
CABLE STRIPPING DIM'S



1. CRIMPED FERRULE
HEX CRIMP SIZE .429"
2. CRIMPED CONTACT PIN
HEX CRIMP SIZE .128"



TITLE: N FEMALE CRIMP
(FOR RG214)

PART NO: NJCR214 029

DRAWING NO:

APRD:
CHKD:
DR:
DATE: 09/19/19" SHEET: .

UNLESS OTHERWISE SPECIFIED TOLERANCES
0.5-6 = ±0.2
>6-30 = ±0.4
>30-120 = ±0.6
>120-315 = ±1
>315-1000 = ±1.6
ANGLES = ±5°
UNIT: mm
SCALE: 2.5/1

NO.	DESCRIPTION	MATERIAL	FINISH
5	FERRULE	BRASS	NICKEL
4	CONTACT PIN	BRASS	GOLD
3	BRAID HOLDER	BRASS	NICKEL
2	INSULATOR	TEFLON	WHITE
1	BODY	BRASS	NICKEL